

Chlorine Disinfection

Disposable Mop with active chlorine



Broad-spectrum disinfection
Sporicidal
Always correct dosing

Wet Wipe Chlorine Disinfection disposable mops are impregnated with a chlorine granulate

The package with 3 mops contains a cracking bag with detergent. When the bag is broken, the detergent will spread over the chlorine granulate and the mop will be ready-to-use after 10 min. With Wet Wipe Chlorine Disinfection you achieve optimal and simple disinfection.

Applications

Disinfection of surfaces and floors, for example by patients in isolation or clean room. Effective against all viruses including, Norovirus, HIV and Hepatitis B, vegetative bacteria, molds and yeasts and meet the requirements for disinfection of *Clostridium difficile*.

How to use

1. Attach to the sole of the feeder
2. Place the disposable wipe on the floor
3. Push the sole on to the disposable wipe
4. Start the disinfection of the surface
5. Discard the wipe and micropad sole after use
6. Disinfect the feeder and the telescopic handle

Note

The disposable mops retain their effect at >1000ppm of active chlorine for 7 days after opening.

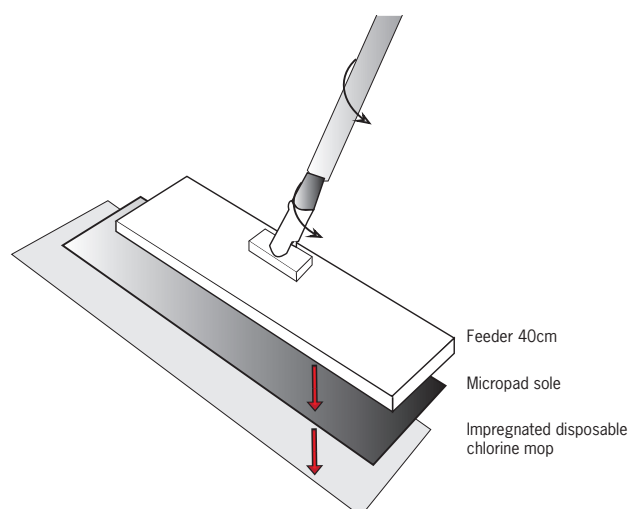
Item number: 60172

1 pack contains 3 mops, 45×13 cm

Contents

Active chlorine >1000 ppm

Produced in Germany. Safety data sheet available on request.



Wet Wipe A/S
Tel: +45 70 266 244
info@wetwipe.eu
www.wetwipe.eu

CVR/VAT no: DK 30207726

Wet Wipe GmbH
Tel: +49800 6646940
info@wetwipe.de
www.wetwipe.de

Ust-IdNr. DE 178836011

74-070 EN, Ver 3
Apr 2018

wetwipe®