

Universal

Hypo-allergenic disposable wipes with neutral detergent



Item no.: 41153



Item no.: 41133

Easy, gentle cleaning without the use of protective gloves

Cleaning tasks at home and at work are often difficult when using disposable wipes that require protective gloves. We have therefore developed a new universal wipe with hypo-allergenic cosmetic approved ingredients.

The wipes contain surface-active surfactants, which ensures the wipe removes grease and dirt while being gentle on the skin.

The wipes are extra durable and perforated with holes, which absorb grease and dirt, so after drying is not necessary.

The wipes are both cross and z-folded so that the wipes can be removed from the packages individually folded and ready for use.

Application

Cleaning of all surfaces that can withstand water e.g. tables, sinks, furniture with vinyl and leather upholstery, stove, refrigerator, car dashboards, etc. The wipe is also suitable as a stain remover on textiles and to remove mold from window frames, damp corners and grease from kitchen furniture and equipment.

As the wipes do not contain anionic surfactants, neutralization of cationic and disinfectants is avoided. The wipes are therefore, suitable for cleaning soiled surfaces immediately before disinfected with alcohol free disinfectant wipes or disinfectants.

Note

The disposable wipes are produced in two sizes; maxi and mini.

Item no. 41153: Universal Maxi carton of 12 packets
1 packet contains 20 wipes, 43×30 cm

Item No. 41133: Universal Mini carton of 20 packets
1 packet contains 25 wipes, 20×30 cm

Content

Ingredients: <1% surfactant Preservatives: Sodium Benzoate, Potassium Sorbate

Perfume and colour free
contains lactic acid
pH ca. 5.2 (Skin neutral)

Environmental labeling

pH-neutral universal cleaning without allergenic preservatives.

Cleaner and cloths are declared and labeled in collaboration with the Asthma and Allergy Denmark. Local workplace requirements must be observed. Safety Data Sheet submitted on request.

Produced in Germany under cGMP.



**Astma-Allergi
Danmark**

Wet Wipe A/S
Tel: +45 70 266 244
info@wetwipe.eu
www.wetwipe.eu

Wet Wipe GmbH
Tel: +49800 6646940
info@wetwipe.de
www.wetwipe.de

81-059 EN, Ver. 2
Sep 2017

wetwipe®

Triamin Disinfection

Disposable wipes without alcohol



Cleans and disinfects in one step
Effective at low temperature and under blood soiled conditions
Low foaming

Use

Disposable disinfection wipes for disinfection processes and for pre-cleaning of instruments as alternative to enzymatic cleaners and traditional detergents.

Wet Wipes Triamin Disinfection kills vegetative bacteria, yeast and non-enveloped viruses (for instance HIV and Hepatitis B/C) under dirty and blood soiled conditions. With a maximum exposure time of 5 minutes. Most vegetative bacteria are killed within 2 minutes.

No water rinse after disinfection of environmental and contact surfaces. Compatible with irregular surfaces and cavities due to low foam.

The disinfection liquid is non-sticky to surfaces and residual build-up can be easily removed by wiping with damp-moist cloth. No discoloration.

Biocidal test

Tested effective under dirty and blood soiled conditions according to: EN13624, EN1656, EN13727, EN14349, EN13697 and DVV/RKI guidelines for viruses.

The disposable wipes are produced in two sizes; maxi and mini.

Item no.: 81153. Triamin Disinfection Maxi
Carton of 12 packets
1 packet contains 20 wipes, 43×30 cm

Item no.: 81133. Triamin Disinfection Mini
Carton of 20 packets
1 packet contains 25 wipes, 20×30 cm

Biocidal active ingredient

The biocidal active ingredient is Laurylamine Dipropylendiamine with CAS No.: 2372-82-9. It is a non-ionic disinfection agent that is not used in antiseptic skin disinfection procedures, which minimizes the risk of development of cross resistance.

The wipes have a pH of 8 - 9 and contain no dyes, or perfume.

Laurylamine Dipropylendiamine is due to its non-ionic character compatible with viscose wipes and will not be neutralized by negatively charged viscose fibres.

2 years stability. To be used within 30 days after opening.

Remember always to read instruction for use before use.

Use disinfectants safely. Always read the label and product information before use.

Ethanol Disinfection

Disposable wipes with ethanol and detergent



Item no.: 25067



Item no.: 25069

Cleans and disinfects in one step
Fast acting
Effective against Norovirus
Easy-to-use

Use

Disposable disinfection wipes for cleaning and disinfection in one step. Use for disinfection of environmental surface and contact points on various devices.

1 min effective incubation time against vegetative bacteria, fungi and virus according to European test standards.

Test report and documentation of efficacy against Norovirus at 30 seconds incubation time is available on request.

Expert reviews

German and Danish infection hygiene experts at VAH and CEI has reviewed Wet Wipe Ethanol Disinfection and concluded that it can be used for disinfection against bacteria and yeast fungus as well as for disinfection against Norovirus. Expert review available on request.

Note

Wet Wipes disposable wipes impregnated with ethanol are classified UN 3175 i.e. solids containing flammable liquid and may therefore be exempted the technical regulations for storage and handling of flammable liquids.

The disposable wipes are produced in two sizes; maxi and mini.

Item no.: 25067: Ethanol Disinfection Maxi
carton of 12 packets

1 packet contains 20 wipes, 43×30 cm

Item no.: 25069: Ethanol Disinfection Mini
carton of 20 packets

1 packet contains 25 wipes, 20×30 cm

Content

Ethanol 70,0 %

Detergent < 0,1 %

The ethanol is denaturated with isopropanol. Net content in a package is less than 1 kg, which means the product can be transported without dangerous goods limitation. Carton is therefore marked with LQ label.

Produced in Germany. Safety data sheet available on request.

Always read the directions before use.

Chlorine Disinfection

Disposable wipes with active chlorine



Item no.: 25074



Item no.: 25058

Broad-spectrum disinfection
Easy-to-use
Always correct dosing

Wet Wipe Chlorine Disinfection Wipes are impregnated with a granulated chlorine product

By using Wet Wipe Chlorine Disinfection you will experience a simple work procedure and achieve an optimal disinfection. The packet contains a burst bag with a surfactant solution. When the bag is burst, the liquid runs in to the wipes, which dissolves the granules that is turned into a solution of active chlorine. The wipes are ready to use after 7 minutes.

Use

Use for disinfection of environmental surfaces and contact points on various devices. Disinfects effectively against all viruses for example, Norovirus, HIV and Hepatitis B, vegetative bacteria, and yeast within 1 minute. Contact time against bacterial spores 10 minutes. Can be used for disinfection of surfaces with mold with a contact time of 15 minutes.

Specially recommended for disinfection of contact points for patients in isolation.

The disposable wipes are produced in two sizes; maxi and mini.

Item no.: 25074: Chlorine Disinfection Maxi
carton of 24 packets
1 packet contains 5 wipes, 43×30 cm

Item no.: 25058: Chlorine Disinfection Mini
carton of 20 packets
1 packet contains 10 wipes, 20×30 cm

Content in granulated chlorine product

Sodium dichloroisocyanurate dihydrate 100 %

Content in the activated ready to use wipes

Active chlorine > 1000–1200 ppm
Surfactant < 0,5%

Note

Activated ready to use wipes retain their disinfection properties up to 48 hours after activation.

Produced in Germany. Safety data sheet available on request.

Always read the directions before use.

Wall Mount

For Wet Wipe disposable wipes



To make it easier to use Wet Wipe disinfection and universal wipes, we can offer two types of dispenser racks made of acid-proof stainless steel.

The two different suspension brackets are spring-loaded, with the result that the packages are very easy to take wipes out of – whether the brackets are full or half empty.

The wall mounted brackets are designed in close cooperation with users and health organisations at several leading hospitals in Denmark in order to ensure optimal usability.

Dispenser made of 5mm stainless thread:

For Wet Wipe Mini
Item no. 30065

For Wet Wipe Maxi
Item no. 31066

Wet Wipe A/S
Tel: +45 70 266 244
info@wetwipe.eu
www.wetwipe.eu

CVR/VAT no: DK 30207726

Wet Wipe GmbH
Tel: +49800 6646940
info@wetwipe.de
www.wetwipe.de

Ust-IdNr. DE 178836011

22-002, EN, Ver. 5
Sep 2017

wetwipe®

Door caddy

Single use isolation kit

Ready to hang up

- Door Caddy isolation kit is designed to hang up on the door to the patient in isolation.
- The isolation kit is an alternative to a cleaning trolley which is more place demanding and has to be cleaned and disinfected after use.
- The isolations kit has place for the necessary personal protective equipment and 3 sizes of gloves easy to take from the box through the holes in the pockets. Also place for packs of Wet Wipe Chlorine or Ethanol Disinfection wipes.
- The pockets for personal protective equipment can be closed to avoid dirt and dust.
- Wet Wipe Door Caddy is for single use only and therefore no need for cleaning and disinfection.
- Accessories for hanging can be purchased separately and reused.

	Box	Items per box	Art.-Nr.
Door Caddy	1	5	31103

Accessories:

Suction cups	1	2	32103
Narrow hook (14 mm)	1	2	36103
Wide hook (44 mm)	1	2	37103
Special hook (40 mm)	1	2	39103



Narrow hook
(14 mm)



Wide hook
(44 mm)



Special hook
(40 mm)



Suction cups

Ethanol Disinfection 70%

Disposable wipes with ethanol



Item no.: 51154

Residue free
Fast acting
Reclosable click lid

Use

Wipes can be used for disinfection and cleaning of production equipment or tools in direct food contact. Tested according to European test standards.

Expert reviews

The toxicologists at the Danish Veterinary and Food Administration has reviewed Wet Wipe Ethanol Disinfection 70% and concluded that it can be used for disinfection of food contact surfaces without rinsing with water (J.nr: 2014-29-7105-00025).

Application

Useful for removing fat, oil and glue residues from equipment in processes where water is highly unwanted or for cleaning of electronic appliances, labelling systems, packaging units etc. that doesn't tolerate water.

Areas of use

Wipes are used in the food processing industry and by food handlers in the hotel, restaurant and catering business.



Item no.: 32000: Wall mount of steel for Wet Wipe Ethanol 70%

Item no.: 51154: Ethanol Disinfection 70% Maxi Blue
Carton of 6 packets
1 packet contains 40 blue wipes, 28x42 cm

Content

Ethanol 70,0 %
The ethanol is partially denaturated with isopropanol (<5%)

Efficacy

Effective against vegetative bacteria, yeast and fungus according to EN 1276 and EN 13697.

Storage conditions

Wet Wipe soft packs of wipes impregnated with ethanol doesn't contain any excess of alcohol. The alcohol is totally absorbed in the wipes and our products are therefore exempted the technical regulations for storage and handling of flammable liquids. A much higher quantity of products can thus be stored under unregulated conditions compared to liquid alcohol products.

Transport requirements

To be transported as dangerous goods under the limited quantity rule. Does not require trucks approved for dangerous goods transport.

Use disinfectants safely

Always read the label and product information before use.

Wet Wipe A/S
info@wetwipe.eu
Tel: +45 70 266 244
www.wetwipe.eu

Wet Wipe GmbH
info@wetwipe.de
Tel: +49800 6646940
www.wetwipe.de

51-051, EN, Ver. 2
Nov 2019

wetwipe®

CVR/VAT no: DK 30207726

Ust-IdNr. DE 178836011

Universal Mop

Disposable mop with soap and water - ready to use



Quick and easy floor cleaning of small areas. Can manage cleaning up to 10 m². on linoleum / vinyl / stone and non-slip floors.
Very suitable for toilets, laboratories, isolation rooms, etc. Optimal hygiene - discard after use.

The mop:

Is a 3-layer mop consisting of a special perforated polyester wipe against the floor, a dirt-absorbent middle layer and a final barrier to the feeder.

How it works:

The system results in a very effective cleaning, the dirt gets sucked up into the mop and leaves the surface clean and streak free. Due to a controlled release and reabsorption of cleaning liquid the drying out time is also very short.

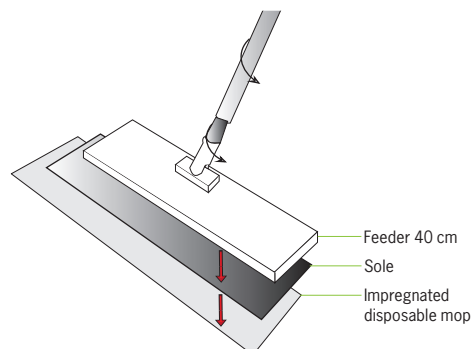
Due to its unique design, the mop can also be used for non-slip surfaces, where high friction is normally a problem.

Item No.: 41172, 45 x 13 cm
10 mops per pack, 9 packs per carton.

Contains <1% surfactant Preservatives: Sodium Benzoate, Potassium Sorbate.
Fragrance and dye free.
Contains lactic acid pH ca. 5.2 (skin neutral) .
Impregnated with 95g detergent.
Sufficient for cleaning an area of 10 m².
Produced in Germany under cGMP.

Accessories

It is possible to buy feeder and sole as acquisitions for this product.



Wet Wipe A/S
Tel: +45 70 266 244
info@wetwipe.eu
www.wetwipe.eu

Wet Wipe GmbH
Tel: +49800 6646940
info@wetwipe.de
www.wetwipe.de

41-050, EN, Ver. 3
Aug 2017

wetwipe®

CVR/VAT no: DK 30207726

Ust-IdNr. DE 178836011

Chlorine Disinfection

Disposable Mop with active chlorine



Broad-spectrum disinfection
Sporicidal
Always correct dosing

Wet Wipe Chlorine Disinfection disposable mops are impregnated with a chlorine granulate

The package with 3 mops contains a cracking bag with detergent. When the bag is broken, the detergent will spread over the chlorine granulate and the mop will be ready-to-use after 20 min. With Wet Wipe Chlorine Disinfection you achieve optimal and simple disinfection.

Applications

Disinfection of surfaces and floors, for example by patients in isolation or clean room. Effective against all viruses including, Norovirus, HIV and Hepatitis B, vegetative bacteria, molds and yeasts and meet the requirements for disinfection of *Clostridium difficile*.

How to use

1. Attach to the sole of the feeder
2. Place the disposable wipe on the floor
3. Push the sole on to the disposable wipe
4. Start the disinfection of the surface
5. Discard the wipe and micropad sole after use
6. Disinfect the feeder and the telescopic handle

Note

The disposable mops retain their effect at >1000ppm of active chlorine for 7 days after opening.

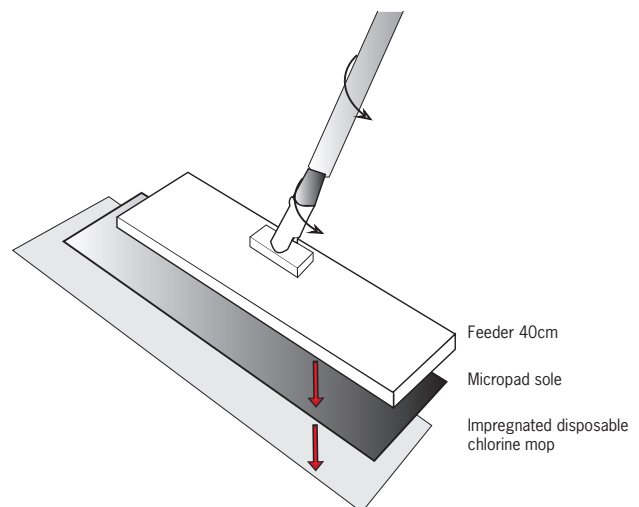
Item number: 60172

1 pack contains 3 mops, 45×13 cm

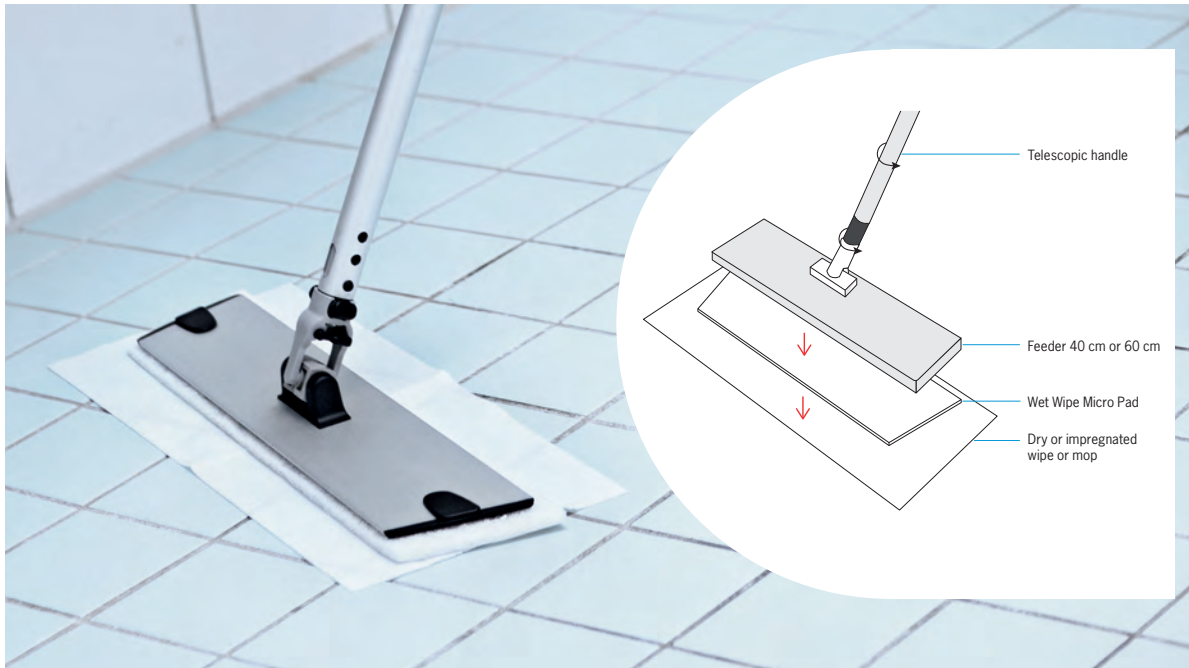
Contents

Active chlorine >1000 ppm

Produced in Germany. Safety data sheet available on request.



Wet Wipe Micro Pad



Wet Wipe Micro Pad

Wet Wipe Micro Pad makes the use of a dry/wet wipe or mop much more effective. The Micro Pad has two sides, one with plast fiber to fasten the pad to the feeder's velcro, and the other side to fasten wipe or mop. The Micro Pad is designed in a way that can withstand a very wet wipe or mop.

Ergonomic features

The elasticity of the Micro Pad has the capacity to absorb the impact from unevenness on floors and walls during wiping. This makes floor wiping easy going and minimizes ergonomic hazards to the worker.

Item no.: 27010, Wet Wipe Micro Pad
1 pack contains 1 pad, 41 × 9 cm

How to use

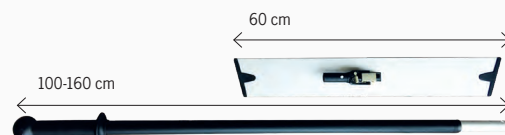
- Attach the Micro Pad (plast fiber side) to the Feeder
- Place a wipe or mop on the floor
- Attach the Micro Pad (micro side) on top of the wipe or mop
- Start cleaning or disinfecting
- Remove the used wipe or mop from the Micro Pad for disposal
- The Micro Pad can be reused

Accessories

The telescopic handle and feeder in two sizes can be purchased as accessories for this product.



Item no.: 27014: Telescopic handle incl. feeder, 40 cm
1 pack contains 1 telescopic handle and 1 feeder



Item no.: 27015: Telescopic handle incl. feeder, 60 cm
1 pack contains 1 telescopic handle and 1 feeder

Unides® AF wipes



Ready to use rapid disinfection wipes based on alcohols for residue free disinfection. Broad antimicrobial spectrum and short drying time. Fragrance free.

Use areas

Use for disinfection of wipeable surfaces and non-invasive alcohol resistant medical devices.

Application

Wipe surface and allow disinfectant solution to take effect. Keep surface wet for the whole exposure time.

Composition

Active ingredient solution contains: 24 g Ethanol and 37 g Propan-1-ol.

Antimicrobial Spectrum

Active ingredient solution is:

- Bactericidal (incl. MRSA)
- Mycobactericidal (M. terrae; M. avium)
- Yeasticidal, fungicidal (C. albicans; A. brasiliensis)
- Virus inactivating (HBV/HIV, HCV, BVDV, Rota-; Adeno-, Noro-, Vaccinia-, Influenza- and Herpes viruses)

Notifications/registrations

VAH List of Disinfectants

IHO notification

BAuA registered according to EU Biocidal Regulation and ECHA guidelines.

Chemical-physical data

Color: colourless
pH-value: 6-8
Flash point: 25°C DIN 51755

Special advice

Use disinfectants safely. Always read the label and product information before use.

4- Field Test

Tested in the 4-field test according to EN 16615 and VAH guidelines by Hygieneinstitut IKI - PD Dr.Pitten, Gießen.



Exposure times

	EN test	Exposure times
<i>Bacteria</i>	EN 13727, EN 14561, EN 16615, DGHM/VAH	30 sec
<i>S. aureus (MRSA)</i>	DGHM/VAH	30 sec
<i>Yeast</i>	EN 13624 DGHM/VAH	30 sec
<i>Mycobacteria</i>	EN 14348	60 sec
<i>Fungus</i>	EN 13624 DGHM/VAH	60 sec
<i>HIV/HBV,HCV,Corona</i>	EN 14476	30 sec
<i>Influenza / Herpes</i>	EN 14476	30 sec
<i>BVDV</i>	EN 14476	30 sec
<i>Vaccinia</i>	EN 14476	15 sec
<i>Rotavirus</i>	EN 14476	60 sec
<i>Norovirus</i>	EN 14476	60 sec

Ordering information

	Art.-Nr.	Quantity	VE	PZN
Unides AF Premium wipes				
Softpack 20 × 20 cm, white	50115	100 wipes	6 softpacks	13705328

Unides® AF



Ready to use rapid disinfectant based on alcohols for residue free disinfection. Broad antimicrobial spectrum and short drying time. Fragrance free.

Use areas

Use for disinfection of wipeable surfaces and non-invasive alcohol resistant medical devices.

Application

Apply to surface undiluted and allow disinfectant solution to take effect. Keep surface wet for the whole exposure time. Suitable for use with refillable dispenser systems.

Composition

100 g active ingredient solution contains: 24 g Ethanol and 37 g Propan-1-ol.

Antimicrobial Spectrum

Unides® AF is:

- Bactericidal (incl. MRSA)
- Mycobactericidal (*M. terrae*; *M. avium*)
- Yeasticidal, fungicidal (*C. albicans*; *A. brasiliensis*)
- Virus inactivating (HBV/HIV, HCV, BVDV, Rota-; Adeno-, Noro-, Vaccinia-, Influenza- and Herpes viruses)

Listings/registrations

VAH List of Disinfectants

IHO listing

Certified as Medical Device class IIa according to Medical Device Directive 93/42/EEC

BAuA registered according to EU Biocidal Regulation and ECHA guidelines.

Chemical-physical data

Color: colourless
pH-value: 9-10
Flash point: 25°C DIN 51755

Special advice

Use disinfectants safely. Always read the label and product information before use.

4- Field Test

Application in wipe dispenser systems tested in the 4-field test according to EN 16615 and VAH guidelines by Hygieneinstitut IKI - PD Dr.Pitten, Gießen.



BAuA Reg.
Nr.: N-72471

Wet Wipe A/S
info@wetwipe.eu
Tel: +45 70 266 244
www.wetwipe.eu

CVR/VAT no: DK 30207726

Wet Wipe GmbH
info@wetwipe.de
Tel: +49-6227-8724000
www.wetwipe.de

Ust-IdNr. DE 178836011

52-051, EN Ver. 1
Nov 2018

wetwipe®
Developed in Denmark
Made in Germany

Exposure times

	EN test	Exposure times
<i>Bacteria</i>	EN 13727, EN 14561, EN 16615, DGHM/VAH	30 sec
<i>S. aureus (MRSA)</i>	DGHM/VAH	30 sec
<i>Yeast</i>	EN 13624 DGHM/VAH	30 sec
<i>Mycobacteria</i>	EN 14348	60 sec
<i>Fungus</i>	EN 13624 DGHM/VAH	60 sec
<i>HIV/HBV,HCV,Corona</i>	EN 14476	30 sec
<i>Influenza / Herpes</i>	EN 14476	30 sec
<i>BVDV</i>	EN 14476	30 sec
<i>Vaccinia</i>	EN 14476	15 sec
<i>Rotavirus</i>	EN 14476	60 sec
<i>Norovirus</i>	EN 14476	60 sec

Ordering information

	Art.-Nr.	Quantity	Packaging	PZN
Unides AF Liquid 250				
Spray bottle	50702	250 ml	Carton of 12 bottles	13654708
Unides AF Liquid 1000				
Spray bottle	50204	1.000 ml	Carton of 10 bottles	13654714
Unides AF Liquid5000				
Canister	50205	5 l		13654720

Unides® AF wipes



SAFETY ACCORDING TO EN - 16615
4 FIELD TEST

Ready to use rapid disinfection wipes based on alcohols for residue free disinfection. Broad antimicrobial spectrum and short drying time. Fragrance free.

Use areas

Use for disinfection of wipeable surfaces and non-invasive alcohol resistant medical devices.

Application

Wipe surface and allow disinfectant solution to take effect. Keep surface wet for the whole exposure time.

Composition

Active ingredient solution contains: 24 g Ethanol and 37 g Propan-1-ol.

Antimicrobial Spectrum

Active ingredient solution is:

- Bactericidal (incl. MRSA)
- Mycobactericidal (M. terrae; M. avium)
- Yeasticidal, fungicidal (C. albicans; A. brasiliensis)
- Virus inactivating (HBV/HIV, HCV, BVDV, Rota; Adeno-, Noro-, Vaccinia-, Influenza- and Herpes viruses)

Notifications/registrations

VAH List of Disinfectants

IHO notification

BAuA registered according to EU Biocidal Regulation and ECHA guidelines.

CE certification

Certified as Medical Device class IIa according to EU Medical Device Directive 93/42/EEC

Chemical-physical data

Color: colourless
pH-value: 6-8
Flash point: 25°C DIN 51755

Special advice

Use disinfectants safely. Always read the label and product information before use.

4- Field Test

Tested in the 4-field test according to EN 16615 and VAH guidelines by Hygieneinstitut IKI - PD Dr.Pitten, Gießen.

  BAuA Reg.
Nr.: N-72472

Wet Wipe A/S
info@wetwipe.eu
Tel: +45 70 266 244
www.wetwipe.eu

CVR/VAT no: DK 30207726

Wet Wipe GmbH
info@wetwipe.de
Tel: +49-6227-8724000
www.wetwipe.de

Ust-IdNr. DE 178836011

52-050, EN Ver. 1
Nov 2018

wetwipe®
Developed in Denmark
Made in Germany

Exposure times

	EN test	Exposure times
Bacteria	EN 13727, EN 14561, EN 16615, DGHM/VAH	30 sec
<i>S. aureus</i> (MRSA)	DGHM/VAH	30 sec
Yeast	EN 13624 DGHM/VAH	30 sec
Mycobacteria	EN 14348	60 sec
Fungus	EN 13624 DGHM/VAH	60 sec
HIV/HBV,HCV,Corona	EN 14476	30 sec
Influenza / Herpes	EN 14476	30 sec
BVDV	EN 14476	30 sec
Vaccinia	EN 14476	15 sec
Rotavirus	EN 14476	60 sec
Norovirus	EN 14476	60 sec

Ordering information

	Art.-Nr.	Quantity	VE	PZN
Unides AF				
Tub 13 x 20 cm , white	50305	150 St	12 Tubs	13654648
Refill 13 x 20 cm , white	50805	150 St	12 Refills	13654648
Unides AF Jumbo				
Tub 21 x 26 cm, white	50306	200 St	6 Tubs	13654660
Refill 21 x 26 cm, white	50806	200 St	6 Refills	13654677